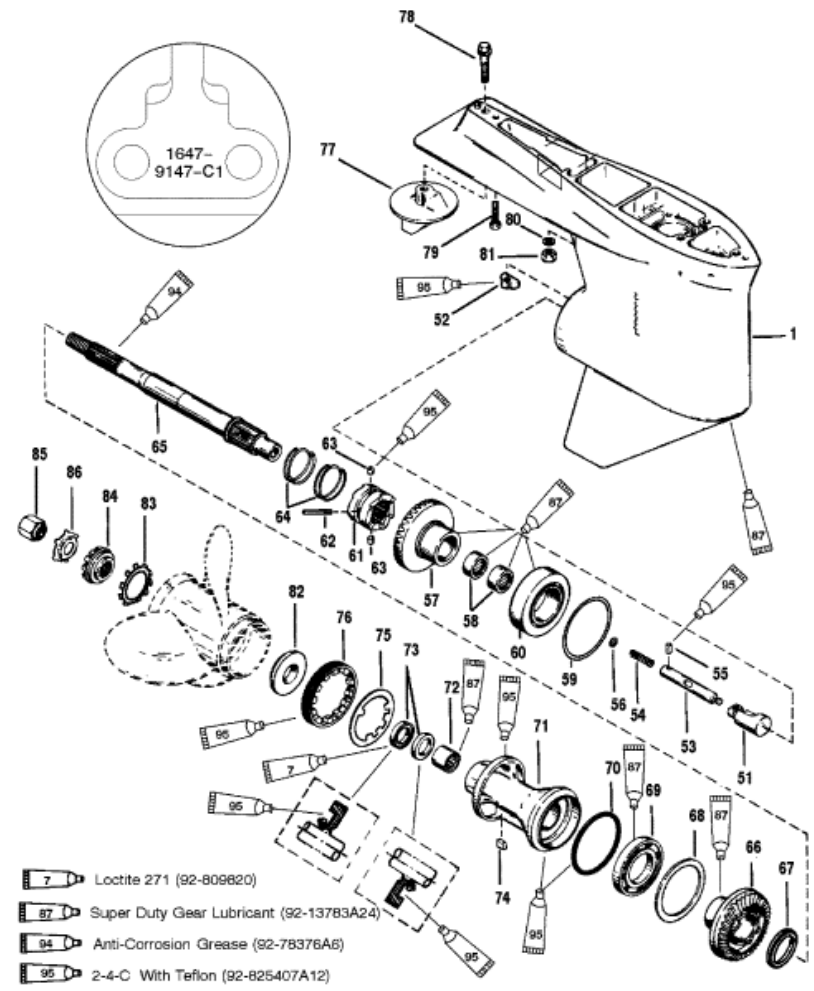


Parts List						
Ref	Class	Part	Description	Qty	Comment	Footnote
1	1647	9148A47	GEAR HOUSING	1	(BLACK)(BASIC)	
1	1647	9148A48	GEAR HOUSING	1	(GRAY)(BASIC)	
51		89594A 1	CAM FOLLOWER	1		
52		78956 2	SHIFT CAM	1		5
53		79911A 1	ROD ASSEMBLY	1		
54	24	79910	SPRING	1		
55	17	78906	PIN	1		
56	12	78910	WASHER	AR		8
57	43	44104A 8	GEAR SET	1	(1.87:1 - 15/28)	
58	31	54928 1	NEEDLE BEARING	1		
59	15	47397A 1	SHIM (.002-3-5-10)	AR		8
60	31	78172A 1	TAPERED ROLLER BEARING	1		
61	52	823174	CLUTCH	1		
62	17	78905	CROSS PIN	1		
63	17	78909	DETENT PIN	2		
64	24	78962	SPRING	2		
65	44	94148	PROPELLER SHAFT	1		
66	43	824986A 2	REVERSE GEAR	1	(1.87:1 - 15/28)	
67	23	824108	THRUST SPACER (NOT USED)	1		
68		68100 1	THRUST RING	1		
69	30	88957	BALL BEARING	1		5
70	25	31534	O-RING	1		2,9
71		43567A 1	BEARING CARRIER ASSEMBLY	1		
72	31	30956	ROLLER BEARING	1		
73	26	76868	OIL SEAL	2		9
74	28	30281	KEY	1		
75	14	79447	TAB WASHER	1		
76		79448	COVER	1		
77		31640 5	TRIM TAB	1		
78	10	806327	SCREW (1-5/8 IN.)	1		
79	10	65210	SCREW	1	THESE REPLACEMENT PARTS.	
80	12	45176	WASHER	2	THESE REPLACEMENT PARTS.	
81	11	34933	NUT	2	THESE REPLACEMENT PARTS.	
82	12	835467 1	THRUST WASHER	1	THESE REPLACEMENT PARTS.	5
83	13	42351 1	LOCKWASHER	1	THESE REPLACEMENT PARTS.	
84	12	31211A 2	WASHER	1	THESE REPLACEMENT PARTS.	
85	11	52707A 1	PROPELLER NUT	1	THESE REPLACEMENT PARTS.	
86	14	816629	TAB WASHER	1	THESE REPLACEMENT PARTS.	
-	27	815791A92	ENGINE GASKET SET	1		
-	26	89238A 2	G/H SEAL KIT	1		



- Loctite 271 (92-809820)
- Super Duty Gear Lubricant (92-13783A24)
- Anti-Corrosion Grease (92-78376A6)
- 2-4-C With Teflon (92-825407A12)